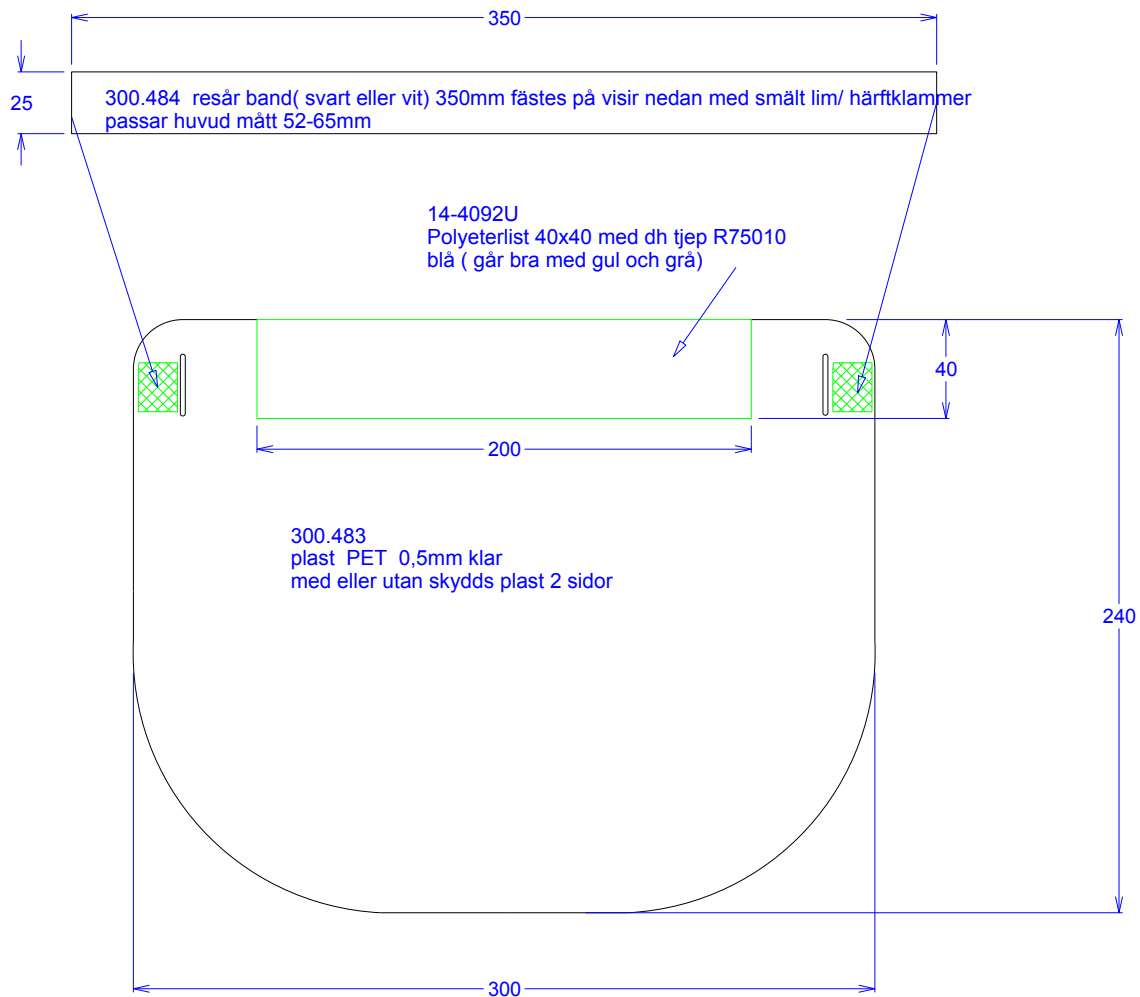
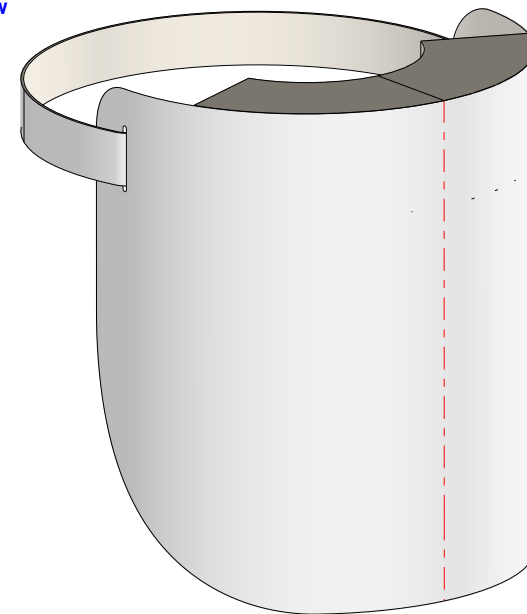


One Up

Ingående delar:
 300.483 - 1st plast PET 0,5mm klar med eller utan skydds plast 2 sidor
 300.484 - 1st Resårband 350x25mm svart eller vit
 14-4092U- 1st Polyeter list blå (grå eller gul)
 R75010 dubbelhäftande tejp
 2st Häftklammer eller smältlim



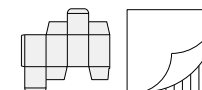
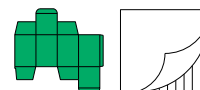
3D View



Layout



This design is the property of Svensk Emballageteknik AB and may not be published, copied or distributed without permissions



Customer	Revision 0	Rev Date: 2020-04-03	Layout	Die Press
Design 14-4093A.ARD	Board Annat	Blank Size 340.23 x 350	Blank Size	Gross Sheet
Description Visir 300x240mm	L x W x D	Area 0.009 Weight 0	Area	Waste %
Note monteras, packas i plast påse 126st/ wellåda 760x380x380mm	Salesperson IHN	Designer IHN	Designer	Rule Length
			Note	st